

Specification details:

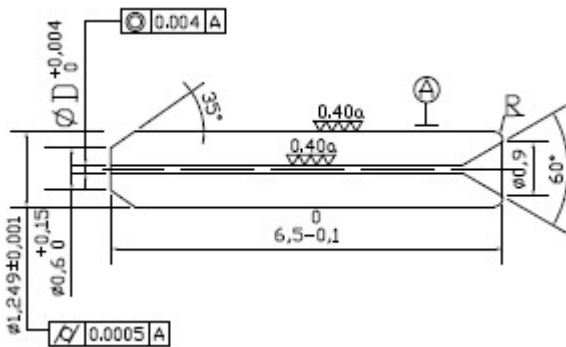
Type	LC/SM		LC/MM		LC/APC	
Spec items						
OD(mm)	$\varnothing 1.2490 \pm 0.0005$		$\varnothing 1.2490 \pm 0.001$		$\varnothing 1.2490 \pm 0.0005$	
ID(mm)	$\varnothing 0.1250^{+0.001}_{-0}$	$\varnothing 0.1255^{+0.001}_{-0}$	$\varnothing 0.126^{+0.004}_{-0}$	$\varnothing 0.127^{+0.003}_{-0}$	$\varnothing 0.1250^{+0.001}_{-0}$	$\varnothing 0.1255^{+0.001}_{-0}$
Concentricity (mm)	≤ 0.001		≤ 0.004		≤ 0.001	
End-face Diameter (mm)	$\varnothing 0.6 + 0.15 / -0$ (35°)		$\varnothing 0.6 + 0.15 / -0$ (35°)		$\varnothing 0.6 + 0.15 / -0$ (35°)	
Length (mm)	$6.5^{+0}_{-0.1}$					

LC/MM FERRULE



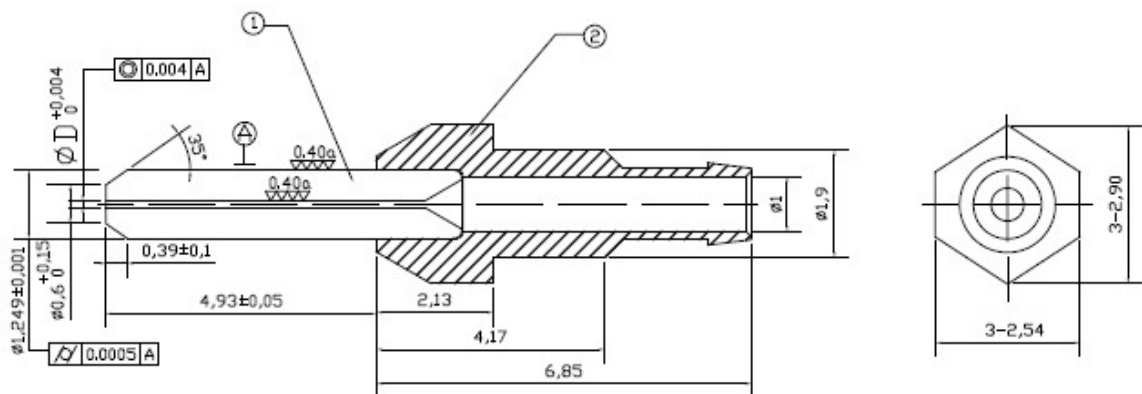
Features:

- Precise Ferrule Design Makes Outstanding Fiber Alignment
- High Performance & Durability
- Low Insertion Loss & Back Reflection Loss
- Good Concentricity
- Certificated by ROHS
- 100% factory tested and certified



Applications:

- LC connector
- LC optical fiber cable assemble & Attenuator



More information and drawings please contact us.

